



spot on!

CUCKOO. JAY. TRACKS.
NOVELTIES 2022|02

PROLED[®]



4

PROLED Cuckoo

The innovative hybrid of spotlight and downlight is the clever solution for individually used rooms and changing situations - without any modification.

10

PROLED Jay

The allrounder with a license for good light fulfills its mission reliably and unobtrusively.



18

Powergear 3-phase track system

What is conceivable is also possible. With this system, we put the best solutions on the right track.

Contents



36

UNI-BRIGHT La Villa 48 V

Minimalist design meets the latest lighting technology and maximum flexibility.

- 7 PROLED Cuckoo 90
- 8 PROLED Cuckoo 120
- 12 PROLED Jay 55
- 16 PROLED Jay 65
- 18 POWERGEAR 3-phase track system
- 22 POWERGEAR Power feeds and connectors
- 26 POWERGEAR 3-phase DALI track system
- 27 POWERGEAR DALI power feeds and connectors
- 30 POWERGEAR End caps and covers
- 32 POWERGEAR Accessories
- 39 UNI-BRIGHT Mime 48
- 40 UNI-BRIGHT Mime Suspension 48
- 41 UNI-BRIGHT Globe 48
- 42 UNI-BRIGHT Move 48
- 43 UNI-BRIGHT Madison 48 Mini
- 44 UNI-BRIGHT Madison Twin 48 Mini
- 45 UNI-BRIGHT Plaza 48 15 W
- 46 UNI-BRIGHT Strip 48 25 W
- 47 UNI-BRIGHT Mini tracks / accessories





cuckoo

PROLED

“Accent or general lighting?
Why either or?
We have beautiful luminaires that can do both.”

The smart allrounder draws attention to the object and transforms the room into perfect light. This makes Cuckoo particularly strong in the exhibition and hospitality sector and wherever requirements for accent and general lighting are subject to frequent change. As well in hotel lobby, auditorium and restaurant.



Seems inconspicuous, shows itself confidently or beams cheekily around the corner. – The Cuckoo can nearly do everything.



INDOOR | DOWNLIGHT

PROLED Cuckoo

If light is needed for a wide range of requirements, no problem:

The innovative hybrid of spotlight and downlight is the clever solution for individually used rooms and changing situations - without any modification.



- Flat downlight and flexible spotlight in one
- Extensible, 360° rotatable, individual orientation
- Perfect for exhibition and event rooms, hotel lobbies, auditorium and restaurants.
- Available in two sizes
- Dimmable with optional constant current dimmer or driver
- Three color temperatures: 4000 K, 3000 K and 2700 K
- Different beam angles
- Power supply / driver included (on/off)



PROLED Downlight

Cuckoo 90

IP rating: IP40

Power source: 220 - 240 VAC; 50 - 60 Hz

Housing: aluminium white

Driver: including (300 mA; 36 VDC)

Electrical connection: 1x cable to open wires; 2-pin

CRI: 90

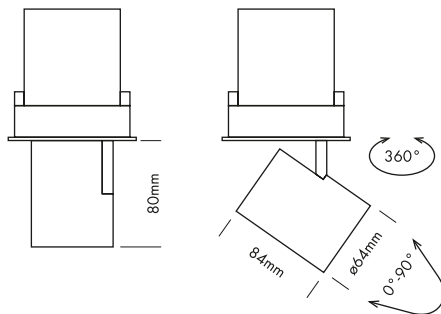
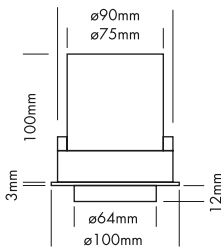
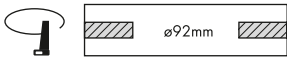
Power consumption: 13 W

Average lifetime*: 50.000 h at L_{80}/B_{10}

Operating temperature range: -10° C till +45° C

Dimmable: no (optional with special constant current dimmer or driver)

Product weight: 0,56 kg



5
YEARS Warranty

L712412081	○ neutral white	4000 K	1000 lm	E	15°
L712412082	○ neutral white	4000 K	1000 lm	E	24°
L712412083	○ neutral white	4000 K	1000 lm	E	32°
L712412061	● warm white	3000 K	850 lm	E	15°
L712412062	● warm white	3000 K	850 lm	E	24°
L712412063	● warm white	3000 K	850 lm	E	32°
L712412261	● super warm white	2700 K	800 lm	F	15°
L712412262	● super warm white	2700 K	800 lm	F	24°
L712412263	● super warm white	2700 K	800 lm	F	32°

*With correct installation and a suitable thermal management.

Due to conditions of production photometric data can vary from production batch to production batch within the EU directive.



PROLED Downlight

Cuckoo 120

IP rating: IP40

Power source: 220 - 240 VAC; 50 - 60 Hz

Housing: aluminium white

Driver: including (600 mA; 36VDC)

Electrical connection: 1x cable to open wires; 2-pin

CRI: 90

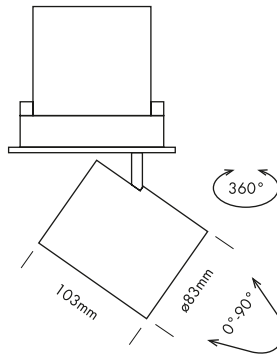
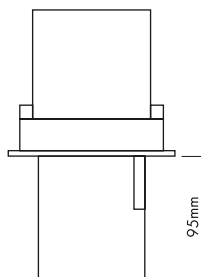
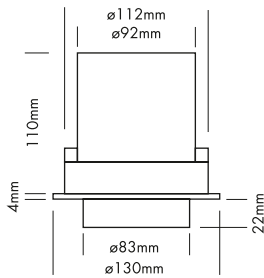
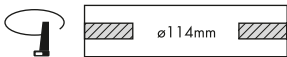
Power consumption: 25 W

Average lifetime*: 50.000 h at L_{80}/B_{10}

Operating temperature range: -10° C till +45° C

Dimmable: no (optional with special constant current dimmer or driver)

Product weight: 0,91 kg



5
YEARS Warranty

L712425081	○ neutral white	4000 K	2500 lm	E	20°
L712425083	○ neutral white	4000 K	2500 lm	E	38°
L712425061	● warm white	3000 K	2300 lm	E	20°
L712425063	● warm white	3000 K	2300 lm	E	38°
L712425261	● super warm white	2700 K	1900 lm	F	20°
L712425263	● super warm white	2700 K	1900 lm	F	38°

*With correct installation and a suitable thermal management.

Due to conditions of production photometric data can vary from production batch to production batch within the EU directive.





Beam angle 24°

Beam angle 55°

jay

PROLED

“Let light work for you.
Jay puts the essentials in the
right light – and is almost
invisible itself.”

The flexible spotlight directs all attention to its surroundings, routinely unfolds its lighting effect and remains unobtrusively in the dark.



Beam angle 40°



INDOOR | TRACKLIGHT

PROLED Jay

The allrounder with a license for good light fulfills its mission reliably and unobtrusively – with professional understatement.

- Tracklight / standard spot for 3-phase tracks and all applications from residential to commercial
- Slim, elegant and unobtrusive
- Flexible, rotatable, pivotable, free positionable
- 3 performance classes, 2 sizes and 3 housing colors
- Three color temperatures: 4000 K, 3000 K and 2700 K
- Different beam angles
- Dimmable DALI version available





PROLED Tracklight

Jay 55 15 Watt

IP rating: IP20

Power source: 220 - 240 VAC; 50 - 60 Hz

Housing: aluminium white or black

Electrical connection: 3-phase track

CRI: 90

Power consumption: 15 W

Average lifetime*: 50.000 h at L₈₀/B₁₀

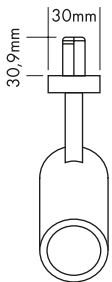
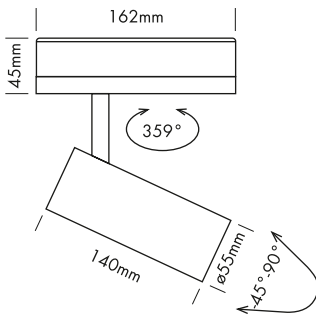
Operating temperature range: -10° C till +45° C

Dimmable: no

Product weight: 0,45 kg



Warranty



L712115081W	○ neutral white	4000 K	white	1500 lm	F	20 °
L712115083W	○ neutral white	4000 K	white	1500 lm	F	32 °
L712115084W	○ neutral white	4000 K	white	1500 lm	F	40 °
L712115085W	○ neutral white	4000 K	white	1500 lm	F	55 °
L712115081B	○ neutral white	4000 K	black	1500 lm	F	20 °
L712115083B	○ neutral white	4000 K	black	1500 lm	F	32 °
L712115084B	○ neutral white	4000 K	black	1500 lm	F	40 °
L712115085B	○ neutral white	4000 K	black	1500 lm	F	55 °
L712115061W	● warm white	3000 K	white	1400 lm	F	20 °
L712115063W	● warm white	3000 K	white	1400 lm	F	32 °
L712115064W	● warm white	3000 K	white	1400 lm	F	40 °
L712115065W	● warm white	3000 K	white	1400 lm	F	55 °
L712115061B	● warm white	3000 K	black	1400 lm	F	20 °
L712115063B	● warm white	3000 K	black	1400 lm	F	32 °
L712115064B	● warm white	3000 K	black	1400 lm	F	40 °
L712115065B	● warm white	3000 K	black	1400 lm	F	55 °
L712115261W	● super warm white	2700 K	white	1300 lm	F	20 °
L712115263W	● super warm white	2700 K	white	1300 lm	F	32 °
L712115264W	● super warm white	2700 K	white	1300 lm	F	40 °
L712115265W	● super warm white	2700 K	white	1300 lm	F	55 °
L712115261B	● super warm white	2700 K	black	1300 lm	F	20 °
L712115263B	● super warm white	2700 K	black	1300 lm	F	32 °
L712115264B	● super warm white	2700 K	black	1300 lm	F	40 °
L712115265B	● super warm white	2700 K	black	1300 lm	F	55 °



3-phase track required.
Compatible with 3-phase track systems
from Global, PowerGear, IVELA and
STUCCCHI. Compatibility for other
systems on request.

*With correct installation and a suitable thermal management.

Due to conditions of production photometric data can vary from production batch to production batch within the EU directive.



PROLED Tracklight

Jay 55 DALI 15 Watt

IP rating: IP20

Power source: 220 - 240 VAC; 50 - 60 Hz

Housing: aluminium white or black

Electrical connection: 3-phase DALI track

CRI: 90

Power consumption: 15 W

Average lifetime*: 50.000 h at L_{80}/B_{10}

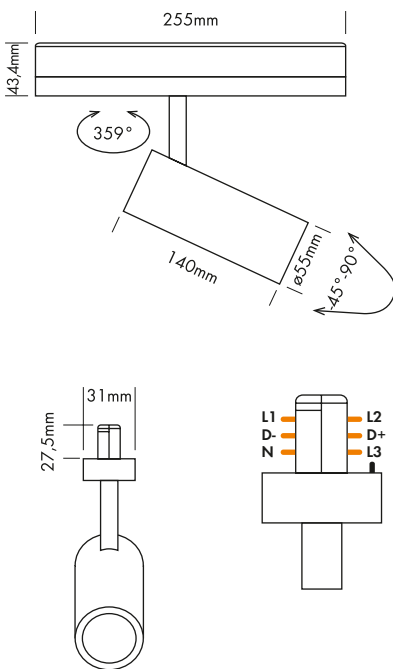
Operating temperature range: -10° C till +45° C

Dimmable: yes (DALI)

Product weight: 0,45 kg



Warranty



L712115081WDA	○ neutral white	4000 K	white	1500 lm	F	20°
L712115083WDA	○ neutral white	4000 K	white	1500 lm	F	32°
L712115084WDA	○ neutral white	4000 K	white	1500 lm	F	40°
L712115085WDA	○ neutral white	4000 K	white	1500 lm	F	55°
L712115081BDA	○ neutral white	4000 K	black	1500 lm	F	20°
L712115083BDA	○ neutral white	4000 K	black	1500 lm	F	32°
L712115084BDA	○ neutral white	4000 K	black	1500 lm	F	40°
L712115085BDA	○ neutral white	4000 K	black	1500 lm	F	55°
L712115061WDA	● warm white	3000 K	white	1400 lm	F	20°
L712115063WDA	● warm white	3000 K	white	1400 lm	F	32°
L712115064WDA	● warm white	3000 K	white	1400 lm	F	40°
L712115065WDA	● warm white	3000 K	white	1400 lm	F	55°
L712115061BDA	● warm white	3000 K	black	1400 lm	F	20°
L712115063BDA	● warm white	3000 K	black	1400 lm	F	32°
L712115064BDA	● warm white	3000 K	black	1400 lm	F	40°
L712115065BDA	● warm white	3000 K	black	1400 lm	F	55°
L712115261WDA	● super warm white	2700 K	white	1300 lm	F	20°
L712115263WDA	● super warm white	2700 K	white	1300 lm	F	32°
L712115264WDA	● super warm white	2700 K	white	1300 lm	F	40°
L712115265WDA	● super warm white	2700 K	white	1300 lm	F	55°
L712115261BDA	● super warm white	2700 K	black	1300 lm	F	20°
L712115263BDA	● super warm white	2700 K	black	1300 lm	F	32°
L712115264BDA	● super warm white	2700 K	black	1300 lm	F	40°
L712115265BDA	● super warm white	2700 K	black	1300 lm	F	55°



3-phase DALI track required.

*With correct installation and a suitable thermal management.

Due to conditions of production photometric data can vary from production batch to production batch within the EU directive.



PROLED Tracklight

Jay 55 20 Watt

IP rating: IP20

Power source: 220 - 240 VAC; 50 - 60 Hz

Housing: aluminium white or black

Electrical connection: 3-phase track

CRI: 90

Power consumption: 20 W

Average lifetime*: 50.000 h at L₈₀/B₁₀

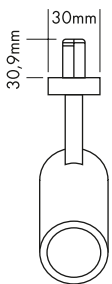
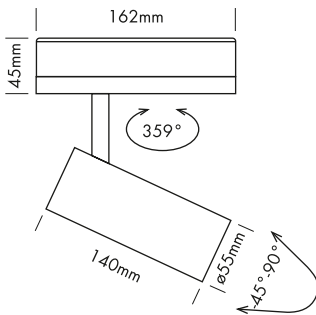
Operating temperature range: -10° C till +45° C

Dimmable: no

Product weight: 0,45 kg



Warranty



L712120081W	○ neutral white	4000 K	white	2000 lm	F	20°
L712120083W	○ neutral white	4000 K	white	2000 lm	F	32°
L712120084W	○ neutral white	4000 K	white	2000 lm	F	40°
L712120085W	○ neutral white	4000 K	white	2000 lm	F	55°
L712120081B	○ neutral white	4000 K	black	2000 lm	F	20°
L712120083B	○ neutral white	4000 K	black	2000 lm	F	32°
L712120084B	○ neutral white	4000 K	black	2000 lm	F	40°
L712120085B	○ neutral white	4000 K	black	2000 lm	F	55°
L712120061W	● warm white	3000 K	white	1900 lm	F	20°
L712120063W	● warm white	3000 K	white	1900 lm	F	32°
L712120064W	● warm white	3000 K	white	1900 lm	F	40°
L712120065W	● warm white	3000 K	white	1900 lm	F	55°
L712120061B	● warm white	3000 K	black	1900 lm	F	20°
L712120063B	● warm white	3000 K	black	1900 lm	F	32°
L712120064B	● warm white	3000 K	black	1900 lm	F	40°
L712120065B	● warm white	3000 K	black	1900 lm	F	55°
L712120261W	● super warm white	2700 K	white	1800 lm	F	20°
L712120263W	● super warm white	2700 K	white	1800 lm	F	32°
L712120264W	● super warm white	2700 K	white	1800 lm	F	40°
L712120265W	● super warm white	2700 K	white	1800 lm	F	55°
L712120261B	● super warm white	2700 K	black	1800 lm	F	20°
L712120263B	● super warm white	2700 K	black	1800 lm	F	32°
L712120264B	● super warm white	2700 K	black	1800 lm	F	40°
L712120265B	● super warm white	2700 K	black	1800 lm	F	55°



3-phase track required.
Compatible with 3-phase track systems
from Global, PowerGear, IVELA and
STUCCCHI. Compatibility for other
systems on request.

*With correct installation and a suitable thermal management.

Due to conditions of production photometric data can vary from production batch to production batch within the EU directive.



PROLED Tracklight

Jay 55 DALI 20 Watt

IP rating: IP20

Power source: 220 - 240 VAC; 50 - 60 Hz

Housing: aluminium white or black

Electrical connection: 3-phase DALI track

CRI: 90

Power consumption: 20 W

Average lifetime*: 50.000 h at L_{80}/B_{10}

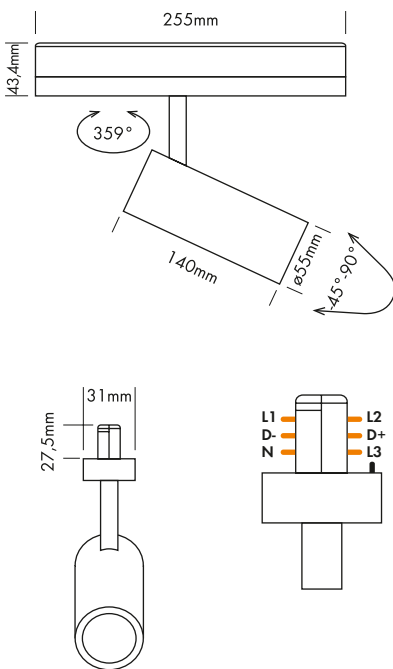
Operating temperature range: -10° C till +45° C

Dimmable: yes (DALI)

Product weight: 0,45 kg



Warranty



L712120081WDA	○ neutral white	4000 K	white	2000 lm	F	20°
L712120083WDA	○ neutral white	4000 K	white	2000 lm	F	32°
L712120084WDA	○ neutral white	4000 K	white	2000 lm	F	40°
L712120085WDA	○ neutral white	4000 K	white	2000 lm	F	55°
L712120081BDA	○ neutral white	4000 K	black	2000 lm	F	20°
L712120083BDA	○ neutral white	4000 K	black	2000 lm	F	32°
L712120084BDA	○ neutral white	4000 K	black	2000 lm	F	40°
L712120085BDA	○ neutral white	4000 K	black	2000 lm	F	55°
L712120061WDA	● warm white	3000 K	white	1900 lm	F	20°
L712120063WDA	● warm white	3000 K	white	1900 lm	F	32°
L712120064WDA	● warm white	3000 K	white	1900 lm	F	40°
L712120065WDA	● warm white	3000 K	white	1900 lm	F	55°
L712120061BDA	● warm white	3000 K	black	1900 lm	F	20°
L712120063BDA	● warm white	3000 K	black	1900 lm	F	32°
L712120064BDA	● warm white	3000 K	black	1900 lm	F	40°
L712120065BDA	● warm white	3000 K	black	1900 lm	F	55°
L712120261WDA	● super warm white	2700 K	white	1800 lm	F	20°
L712120263WDA	● super warm white	2700 K	white	1800 lm	F	32°
L712120264WDA	● super warm white	2700 K	white	1800 lm	F	40°
L712120265WDA	● super warm white	2700 K	white	1800 lm	F	55°
L712120261BDA	● super warm white	2700 K	black	1800 lm	F	20°
L712120263BDA	● super warm white	2700 K	black	1800 lm	F	32°
L712120264BDA	● super warm white	2700 K	black	1800 lm	F	40°
L712120265BDA	● super warm white	2700 K	black	1800 lm	F	55°



3-phase DALI track required.

*With correct installation and a suitable thermal management.

Due to conditions of production photometric data can vary from production batch to production batch within the EU directive.

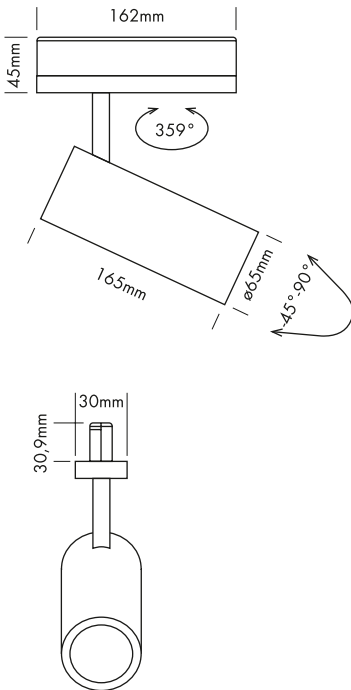


PROLED Tracklight

Jay 65 32 Watt

IP rating: IP20
 Power source: 220 - 240 VAC; 50 - 60 Hz
 Housing: aluminium white or black
 Electrical connection: 3-phase track
 CRI: 90
 Power consumption: 32 W
 Average lifetime*: 50.000 h at L₈₀/B₁₀
 Operating temperature range: -10° C till +45° C
 Dimmable: no
 Product weight: 0,78 kg

5*
YEARS Warranty



L712132081W	○ neutral white	4000 K	white	3200 lm	F	24 °
L712132083W	○ neutral white	4000 K	white	3200 lm	F	40 °
L712132086W	○ neutral white	4000 K	white	3200 lm	F	55 °
L712132081B	○ neutral white	4000 K	black	3200 lm	F	24 °
L712132083B	○ neutral white	4000 K	black	3200 lm	F	40 °
L712132086B	○ neutral white	4000 K	black	3200 lm	F	55 °
L712132061W	○ warm white	3000 K	white	3000 lm	F	24 °
L712132063W	○ warm white	3000 K	white	3000 lm	F	40 °
L712132066W	○ warm white	3000 K	white	3000 lm	F	55 °
L712132061B	○ warm white	3000 K	black	3000 lm	F	24 °
L712132063B	○ warm white	3000 K	black	3000 lm	F	40 °
L712132066B	○ warm white	3000 K	black	3000 lm	F	55 °
L712132261W	○ super warm white	2700 K	white	2800 lm	F	24 °
L712132263W	○ super warm white	2700 K	white	2800 lm	F	40 °
L712132266W	○ super warm white	2700 K	white	2800 lm	F	55 °
L712132261B	○ super warm white	2700 K	black	2800 lm	F	24 °
L712132263B	○ super warm white	2700 K	black	2800 lm	F	40 °
L712132266B	○ super warm white	2700 K	black	2800 lm	F	55 °



3-phase track required.
 Compatible with 3-phase track systems from Global, PowerGear, IVELA and STUCCCHI. Compatibility for other systems on request.

*With correct installation and a suitable thermal management.

Due to conditions of production photometric data can vary from production batch to production batch within the EU directive.



PROLED Tracklight

Jay 65 DALI 32 Watt

IP rating: IP20

Power source: 220 - 240 VAC; 50 - 60 Hz

Housing: aluminium white or black

Electrical connection: 3-phase DALI track

CRI: 90

Power consumption: 32 W

Average lifetime*: 50.000 h at L₈₀/B₁₀

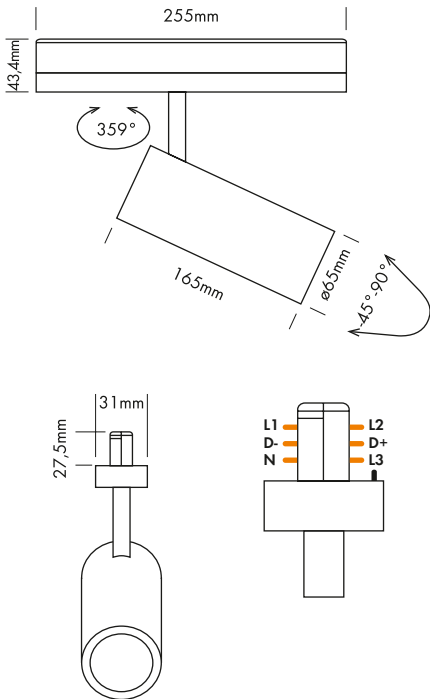
Operating temperature range: -10° C till +45° C

Dimmable: yes (DALI)

Product weight: 0,78 kg



Warranty



L712132081WDA	○ neutral white	4000 K	white	3200 lm	F	24°
L712132083WDA	○ neutral white	4000 K	white	3200 lm	F	40°
L712132086WDA	○ neutral white	4000 K	white	3200 lm	F	55°
L712132081BDA	○ neutral white	4000 K	black	3200 lm	F	24°
L712132083BDA	○ neutral white	4000 K	black	3200 lm	F	40°
L712132086BDA	○ neutral white	4000 K	black	3200 lm	F	55°
L712132061WDA	○ warm white	3000 K	white	3000 lm	F	24°
L712132063WDA	○ warm white	3000 K	white	3000 lm	F	40°
L712132066WDA	○ warm white	3000 K	white	3000 lm	F	55°
L712132061BDA	○ warm white	3000 K	black	3000 lm	F	24°
L712132063BDA	○ warm white	3000 K	black	3000 lm	F	40°
L712132066BDA	○ warm white	3000 K	black	3000 lm	F	55°
L712132261WDA	○ super warm white	2700 K	white	2800 lm	F	24°
L712132263WDA	○ super warm white	2700 K	white	2800 lm	F	40°
L712132266WDA	○ super warm white	2700 K	white	2800 lm	F	55°
L712132261BDA	○ super warm white	2700 K	black	2800 lm	F	24°
L712132263BDA	○ super warm white	2700 K	black	2800 lm	F	40°
L712132266BDA	○ super warm white	2700 K	black	2800 lm	F	55°



3-phase DALI track required.

*With correct installation and a suitable thermal management.

Due to conditions of production photometric data can vary from production batch to production batch within the EU directive.



POWERGEAR

3-phase track system



LPROM438
Twisted L-connector
S 25

LPROD635L
DALI L-connector left
S 27

LPRO0432
End cap
S 30

LPRO0437
X-connector
S 23

LPROD637
DALI X-connector
S 29

LPRO0431L
Power feed left
S 22

LPROD631L
DALI power feed left
S 27

LPROM436L
Twisted T-connector L
S 25

LPROD636L1
DALI T-connector left 1
S 28

PROLED

“What is conceivable is also possible. With this system, we put the best solutions on the right track.”

The wide range of accessories and assembly options opens up unlimited possible solutions and offers maximum freedom in implementation. We also rely on solid quality that pays off.



LPROM436R
Twisted T-connector R
S 25

LPROD636R2
DALI T-connector right 2
S 28

LPROM436L
Twisted T-connector L
S 25

LPROD636L2
DALI T-connector left 2
S 28

LPRO0431R
Power feed right
S 22

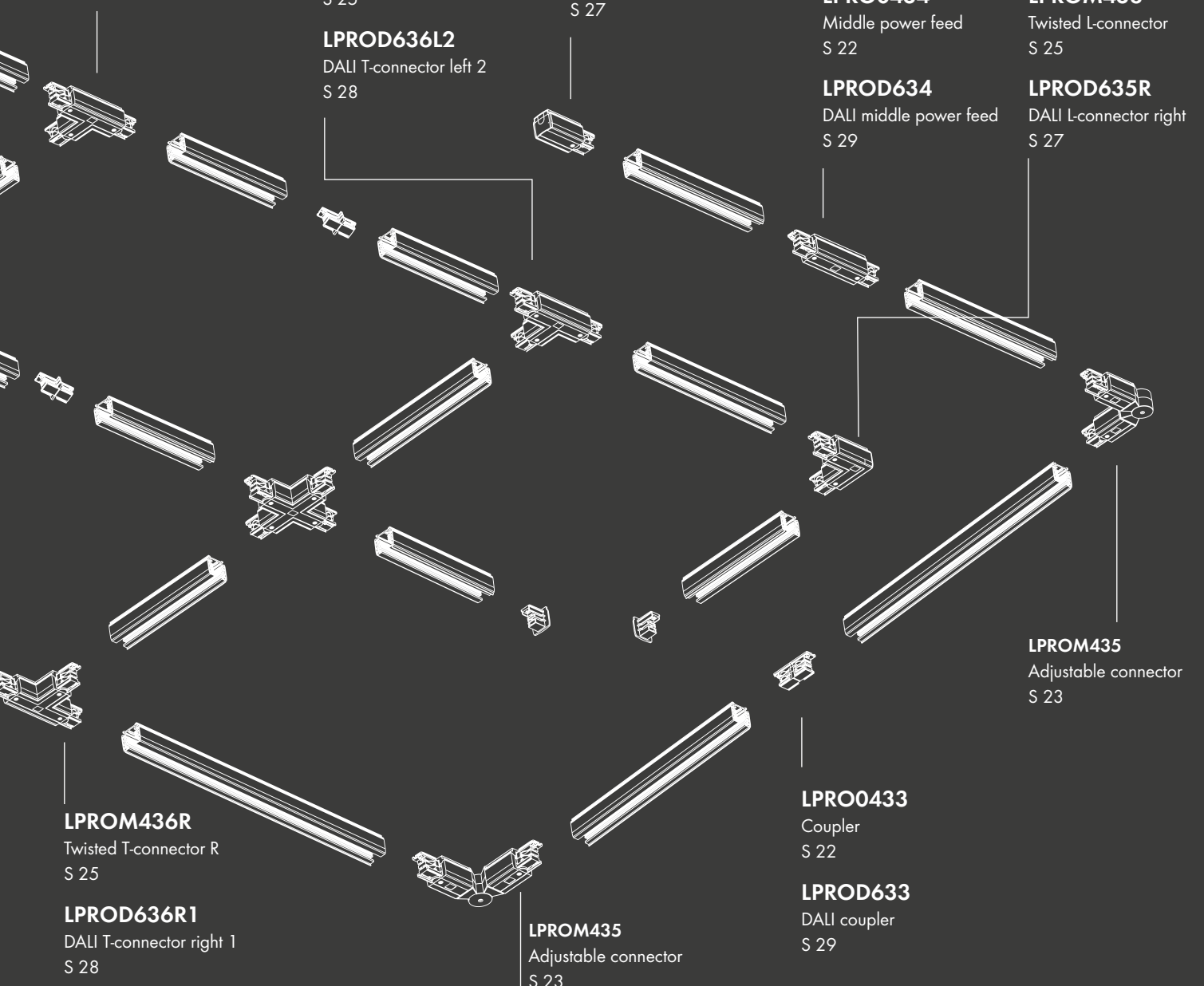
LPROD631R
DALI power feed right
S 27

LPRO0434
Middle power feed
S 22

LPROD634
DALI middle power feed
S 29

LPROM438
Twisted L-connector
S 25

LPROD635R
DALI L-connector right
S 27



LPROM436R
Twisted T-connector R
S 25

LPROD636R1
DALI T-connector right 1
S 28

LPROM435
Adjustable connector
S 23

LPRO0433
Coupler
S 22

LPROD633
DALI coupler
S 29

LPROM435
Adjustable connector
S 23



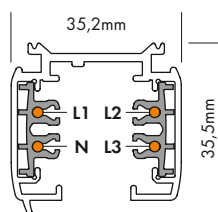
INDOOR | TRACKLIGHTS

POWERGEAR

3-phase track system

The universal track system offers maximum freedom while planning the 3-phase track infrastructure and when integrating a wide variety of track.

- Clear design, reliable in function and highest quality
- Offers almost unlimited solution and mounting options
- Individually designable and expandable
- As a surface mounted or recessed version
- Also available as DALI version
- Wide range of accessories available
- The Powergear X-, L- and T-connectors enable quick and easy installation with little effort
- The Powergear tracks are available in length of 1 m, 2 m and 3 m.
- They can easily be cut to length and are immediately ready for installation, no wires have to be adjusted.



POWERGEAR 3-phase track system

3-phase surface mounted track

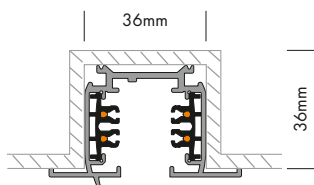
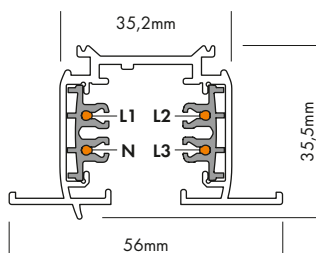
LPRO0410W	○ aluminium white*	1000 mm
LPRO0420W	○ aluminium white*	2000 mm
LPRO0430W	○ aluminium white*	3000 mm
LPRO0410B	● aluminium black**	1000 mm
LPRO0420B	● aluminium black**	2000 mm
LPRO0430B	● aluminium black**	3000 mm



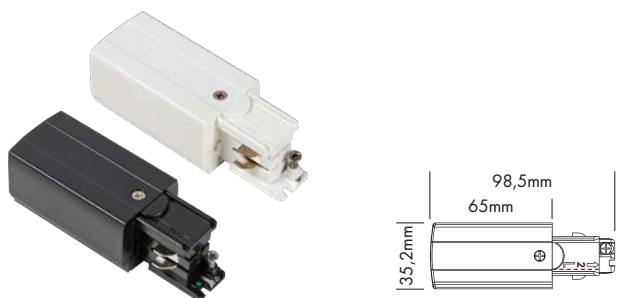
POWERGEAR 3-phase track system

3-phase recessed track

LPROR410W	○ aluminium white*	1000 mm
LPROR420W	○ aluminium white*	2000 mm
LPROR430W	○ aluminium white*	3000 mm
LPROR410B	● aluminium black**	1000 mm
LPROR420B	● aluminium black**	2000 mm
LPROR430B	● aluminium black**	3000 mm



*white similar RAL 9010 / **black similar RAL 9011

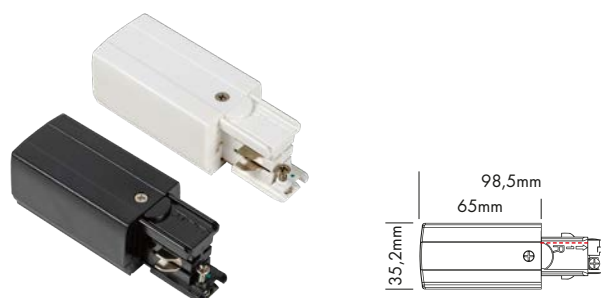


POWERGEAR 3-phase track system
Power feed left

Power feed for 3-phase track

LPRO0431LW ○ white*

LPRO0431LB ● black**

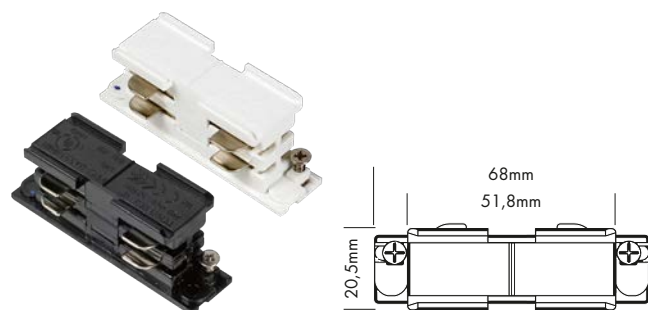


POWERGEAR 3-phase track system
Power feed right

Power feed for 3-phase track

LPRO0431RW ○ white*

LPRO0431RB ● black**



POWERGEAR 3-phase track system
Coupler

Coupler to connect two track sections.

LPRO0433W ○ white*

LPRO0433B ● black**



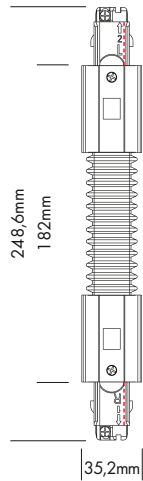
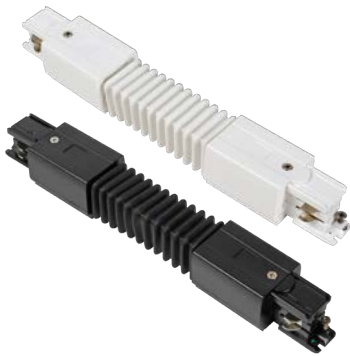
POWERGEAR 3-phase track system
Middle power feed

Connection for two track sections. Feeding through middle power feed possible.

LPRO0434W ○ white*

LPRO0434B ● black**

*white similar RAL 9010 / **black similar RAL 9011

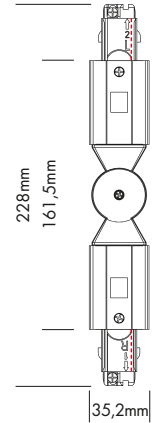


POWERGEAR 3-phase track system
Flexible connector

To connect two track sections at any angle up to +/- 90°.

LPRO0439W ○ white*

LPRO0439B ● black**

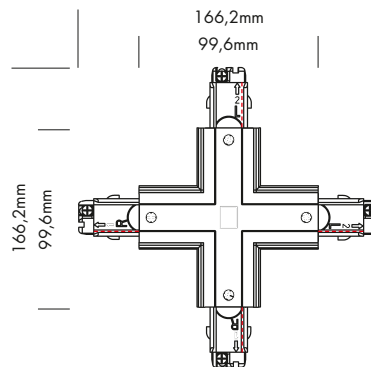


POWERGEAR 3-phase track system
Adjustable connector

To connect two track sections at any angle up to +/- 90°.

LPROM435W ○ white*

LPROM435B ● black**



POWERGEAR 3-phase track system
X-connector

To connect four track sections into a cross configuration.

LPRO0437W ○ white*

LPRO0437B ● black**

*white similar RAL 9010 / **black similar RAL 9011

POWERGEAR 3-phase track system

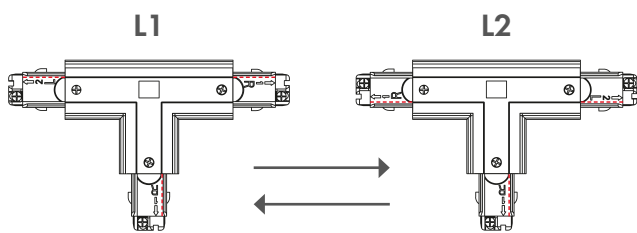
Twisted T and L connectors

Twisted T and L connector can be easily adjusted on site, allowing maximum flexibility in the planning of your 3-phase track installations.

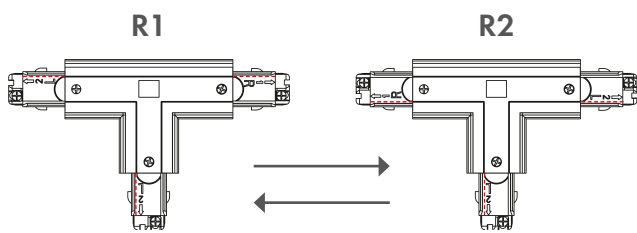
The conversion from L1 to L2 or R1 to R2 is achieved quick and easy by unscrewing the cover plate, rotating the flexible connector and closing it again with the cover plate.

The Twisted connectors also offer the option to be used as a power feed.

Twisted T-connector

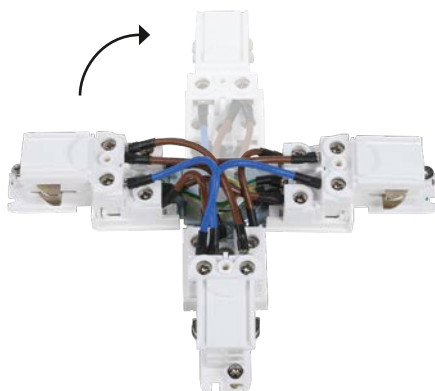
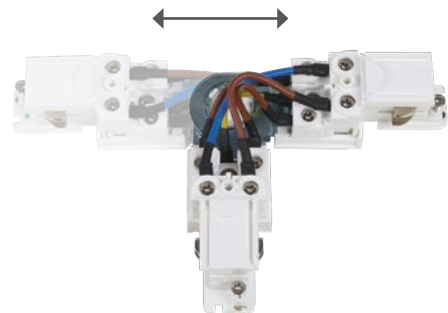
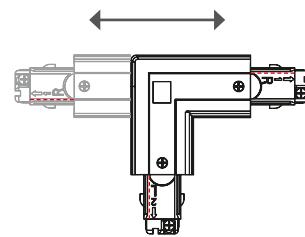


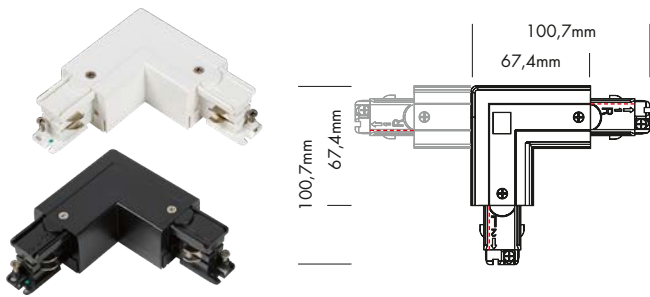
L1 can be changed to L2



R1 can be changed to R2

Twisted L-connector



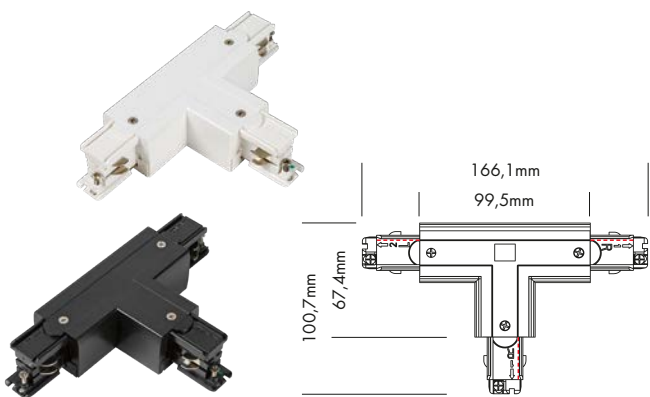


POWERGEAR 3-phase track system
Twisted L-connector (L and R)

To connect two track sections with 90° angle. (reversible)

LPROM438W ○ white*

LPROM438B ● black**

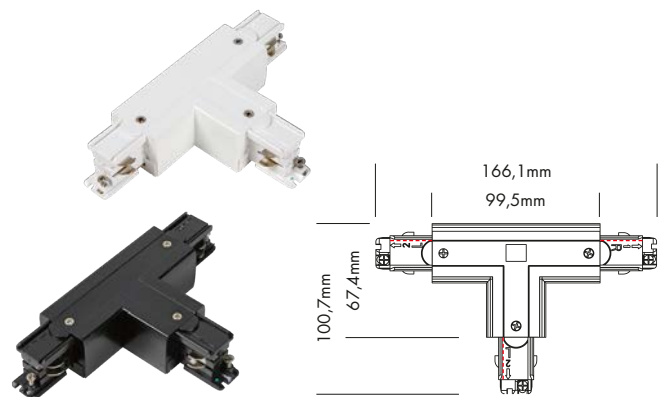


POWERGEAR 3-phase track system
Twisted T-connector L1 → L2

To connect three 3-phase track sections in a T-configuration. (reversible)

LPROM436LW ○ white*

LPROM436LB ● black**



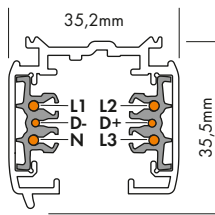
POWERGEAR 3-phase track system
Twisted T-connector R1 → R2

To connect three 3-phase track sections in a T-configuration. (reversible)

LPROM436RW ○ white*

LPROM436RB ● black**

*white similar RAL 9010 / **black similar RAL 9011



POWERGEAR 3-phase DALI track system

3-phase DALI surface mounted track

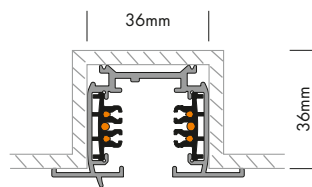
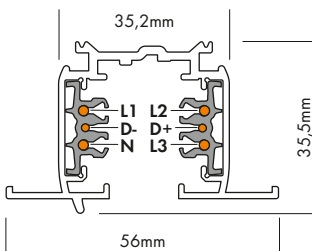
LPRO0610W	○ aluminium white*	1000 mm
LPRO0620W	○ aluminium white*	2000 mm
LPRO0630W	○ aluminium white*	3000 mm
LPRO0610B	● aluminium black**	1000 mm
LPRO0620B	● aluminium black**	2000 mm
LPRO0630B	● aluminium black**	3000 mm



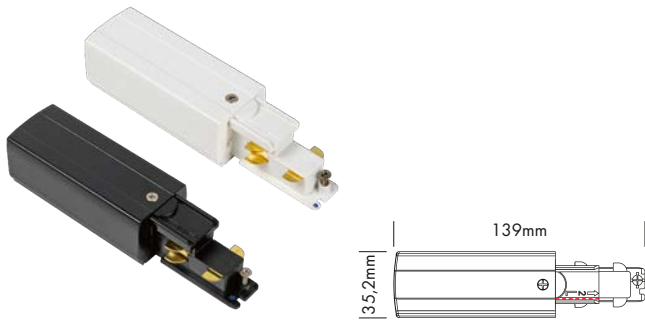
POWERGEAR 3-phase DALI track system

3-phase DALI recessed track

LPROR610W	○ aluminium white*	1000 mm
LPROR620W	○ aluminium white*	2000 mm
LPROR630W	○ aluminium white*	3000 mm
LPROR610B	● aluminium black**	1000 mm
LPROR620B	● aluminium black**	2000 mm
LPROR630B	● aluminium black**	3000 mm



*white similar RAL 9010 / **black similar RAL 9011

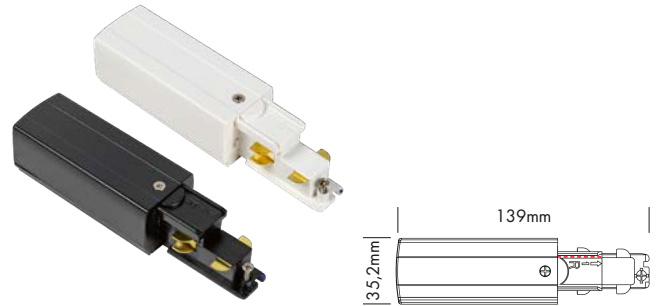


POWERGEAR 3-phase DALI track system
DALI power feed left

Power feed for DALI 3-phase track

LPROD631LW ○ white*

LPROD631LB ● black**

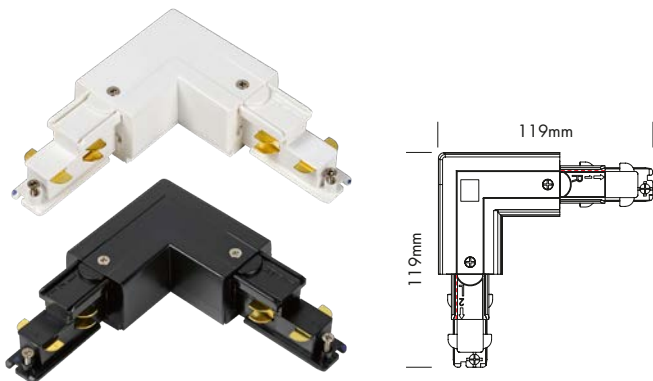


POWERGEAR 3-phase DALI track system
DALI power feed right

Power feed for DALI 3-phase track

LPROD631RW ○ white*

LPROD631RB ● black**

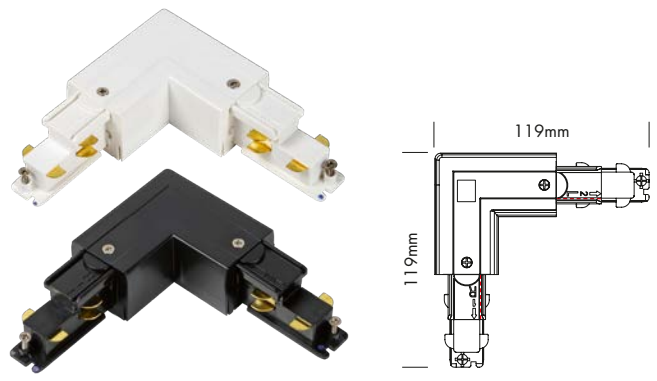


POWERGEAR 3-phase DALI track system
DALI L-connector left

To connect two DALI 3-phase track sections at a 90° angle.

LPROD635LW ○ white*

LPROD635LB ● black**



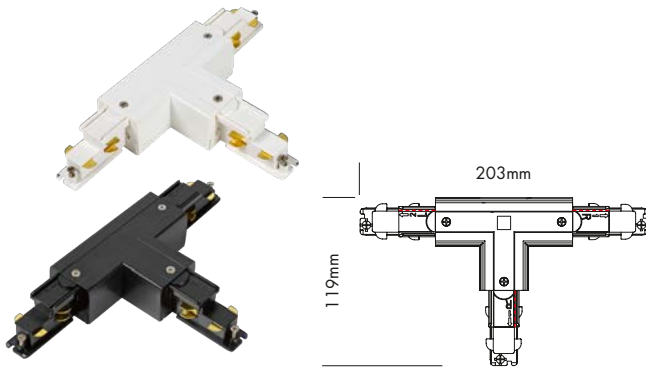
POWERGEAR 3-phase DALI track system
DALI L-connector right

To connect two DALI 3-phase track sections at a 90° angle.

LPROD635RW ○ white*

LPROD635RB ● black**

*white similar RAL 9010 / **black similar RAL 9011

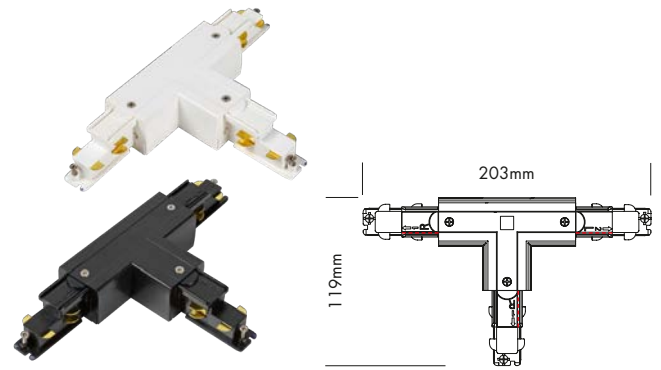


POWERGEAR 3-phase DALI track system
DALI T-connector left 1

To connect three DALI 3-phase track sections in a T-configuration.

LPROD636L1W ○ white*

LPROD636L1B ● black**

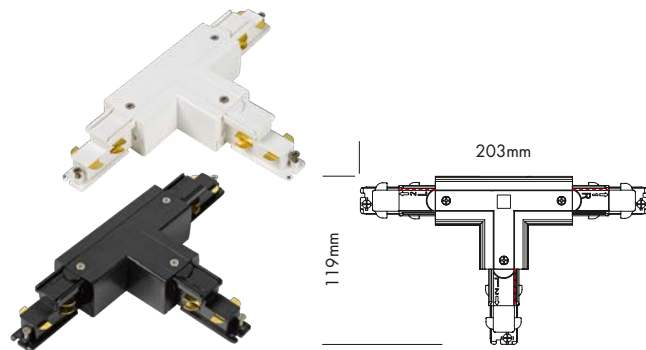


POWERGEAR 3-phase DALI track system
DALI T-connector left 2

To connect three DALI 3-phase track sections in a T-configuration.

LPROD636L2W ○ white*

LPROD636L2B ● black**

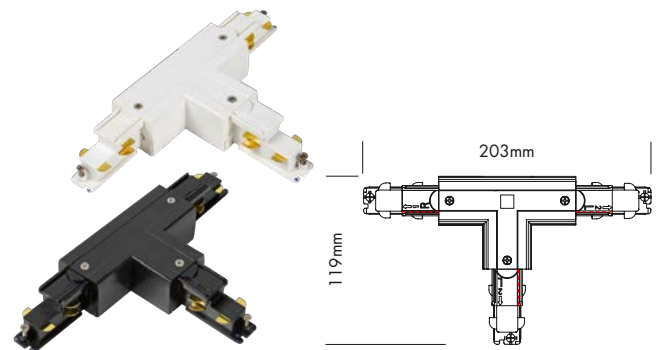


POWERGEAR 3-phase DALI track system
DALI T-connector right 1

To connect three DALI 3-phase track sections in a T-configuration.

LPROD636R1W ○ white*

LPROD636R1B ● black**



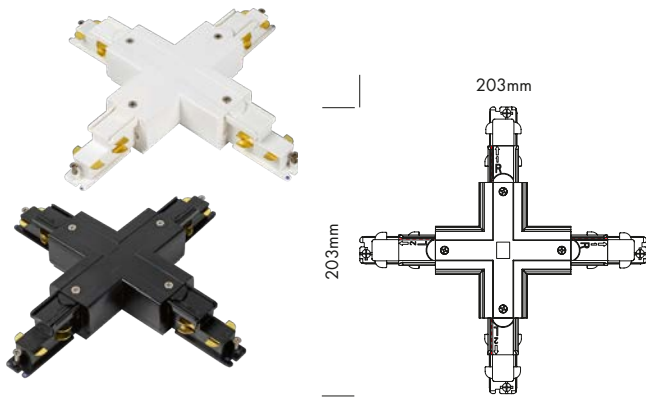
POWERGEAR 3-phase DALI track system
DALI T-connector right 2

To connect three DALI 3-phase track sections in a T-configuration.

LPROD636R2W ○ white*

LPROD636R2B ● black**

*white similar RAL 9010 / **black similar RAL 9011

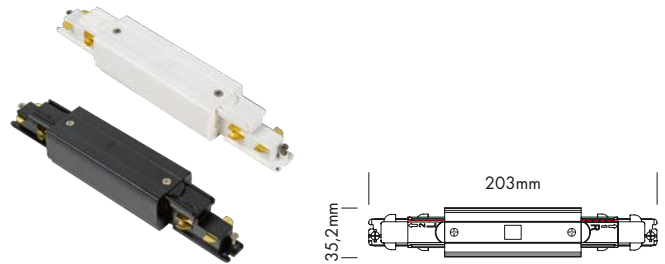


POWERGEAR 3-phase DALI track system
DALI X-connector

To connect four DALI 3-phase track sections into a cross configuration.

LPROD637W ○ white*

LPROD637B ● black**

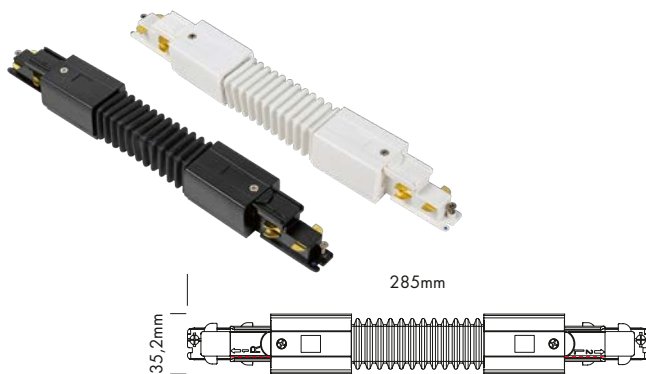


POWERGEAR 3-phase DALI track system
DALI middle power feed

Connection for two DALI 3-phase track sections. Feeding through middle power feed possible.

LPROD634W ○ white*

LPROD634B ● black**

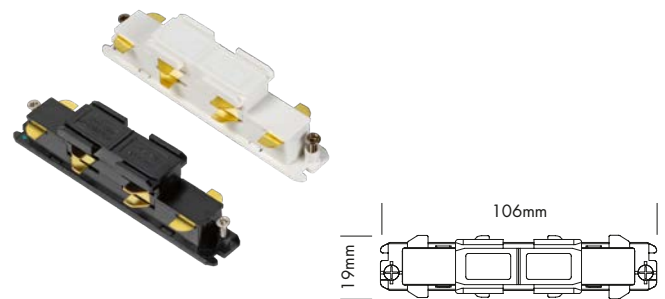


POWERGEAR 3-phase DALI track system
DALI flexible connector

To connect two DALI 3-phase track sections at any angle up to +/- 90°.

LPROD639W ○ white*

LPROD639B ● black**



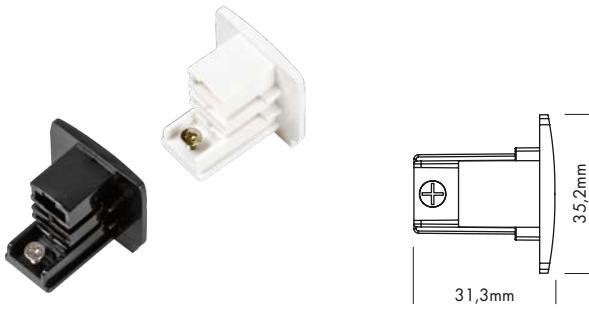
POWERGEAR 3-phase DALI track system
DALI coupler

Coupler to connect two track sections.

LPROD633W ○ white*

LPROD633B ● black**

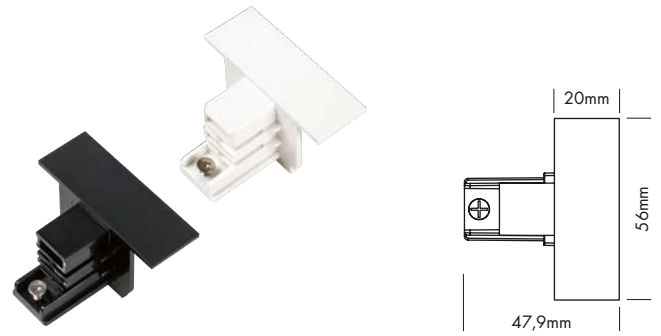
*white similar RAL 9010 / **black similar RAL 9011



POWERGEAR 3-phase track system
End cap

for surface mounted track

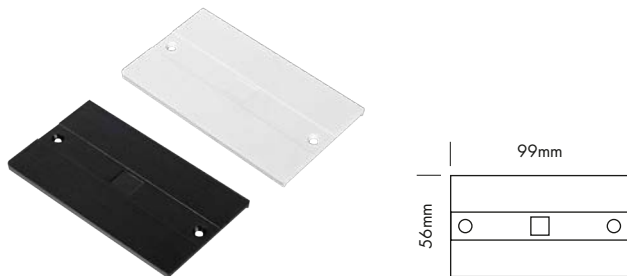
- LPRO0432W ○ white*
- LPRO0432B ● black**



POWERGEAR 3-phase track system
End cap

for recessed tracks

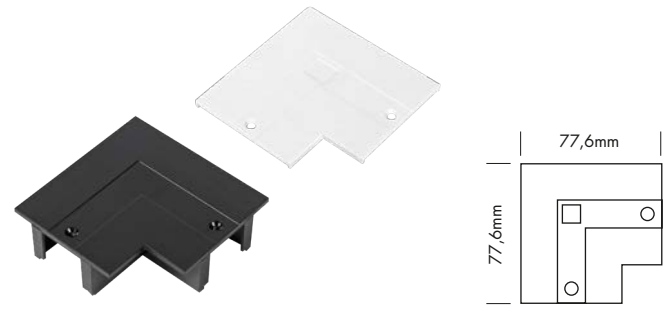
- LPRORX432W ○ white*
- LPRORX432B ● black**



POWERGEAR 3-phase track system
Cover middle power feed

for recessed tracks

- LPROR434W ○ white*
- LPROR434B ● black**

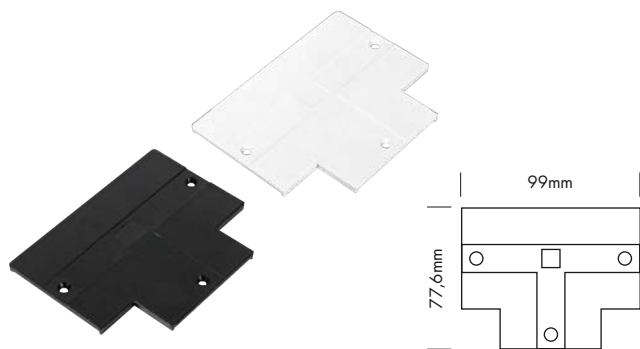


POWERGEAR 3-phase track system
Cover L-connector

for recessed tracks

- LPROR435W ○ white*
- LPRORX435B ● black**

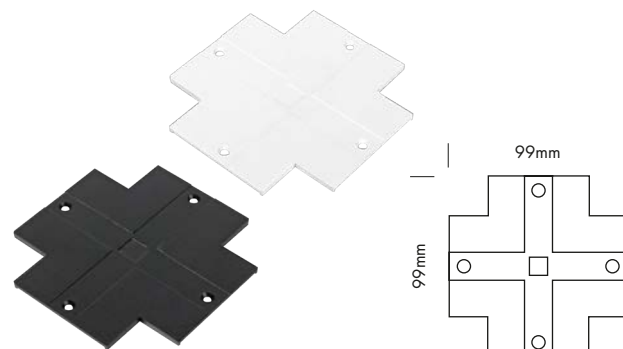
*white similar RAL 9010 / **black similar RAL 9011



POWERGEAR 3-phase track system
Cover T-connector

for recessed tracks

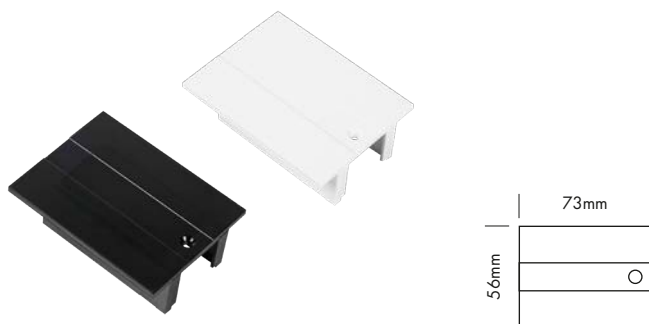
- LPROR436W ○ white*
- LPROR436B ● black**



POWERGEAR 3-phase track system
Cover X-connector

for recessed tracks

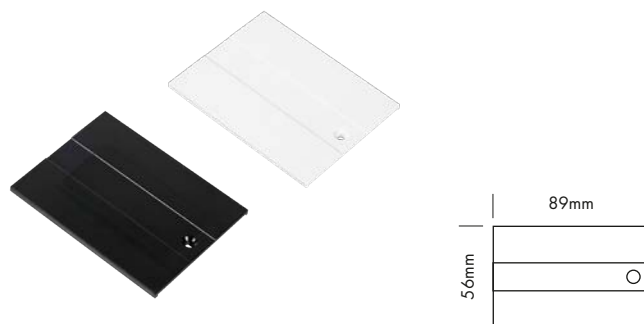
- LPROR437W ○ white*
- LPROR437B ● black**



POWERGEAR 3-phase track system
Cover power feed

for recessed tracks

- LPRORX431W ○ white*
- LPRORX431B ● black**

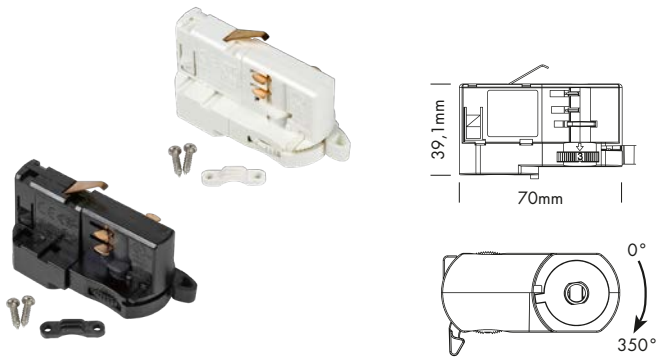


POWERGEAR 3-phase DALI track system
DALI cover power feed

for DALI recessed tracks

- LPROR631W ○ white*
- LPROR631B ● black**

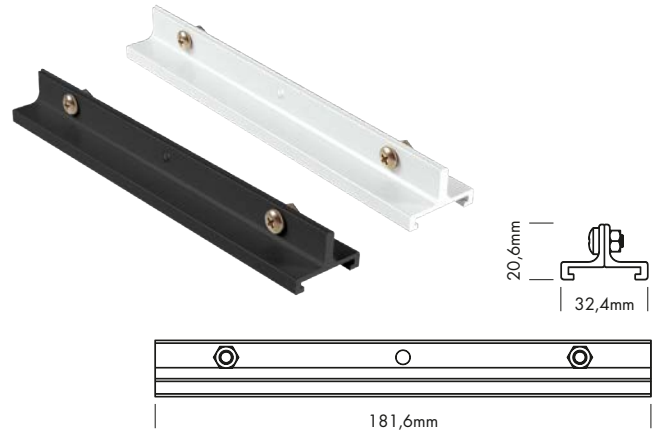
*white similar RAL 9010 / **black similar RAL 9011



POWERGEAR 3-phase track system
Smart 3-phase adapter

LPRO0222W ○ white*

LPRO0222B ● black**



POWERGEAR 3-phase track system
Suspension connection clamp

Reinforcement plate for 3-phase track

LPRO0418SKW ○ white*

LPRO0418SKB ● black**

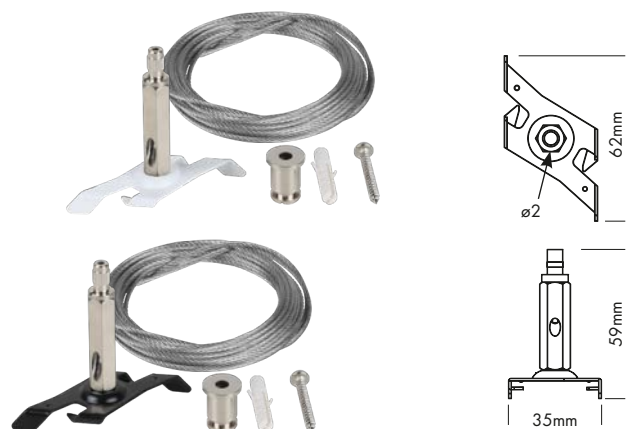


POWERGEAR 3-phase track system
Rod suspension EZCLIKit

Suspension kit with rod for 3-phase track.
Length of rod: 1 m

LPROEZ0447W ○ white*

LPROEZ0447B ● black**



POWERGEAR 3-phase track system
Wire suspension EZCLIKit 5 m

Suspension kit with 5m steel rope for 3-phase track.

LPROEZ0449W ○ white*

LPROEZ0449B ● black**

*white similar RAL 9010 / **black similar RAL 9011

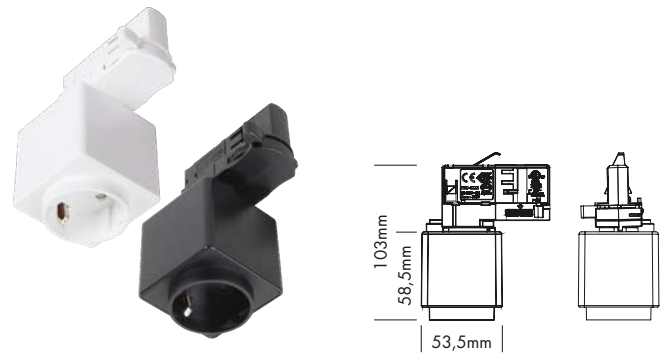


POWERGEAR 3-phase track system
Mounting clip

Mounting bracket for 3-phase track

LPRO04SKW ○ white*

LPRO04SKB ● black**

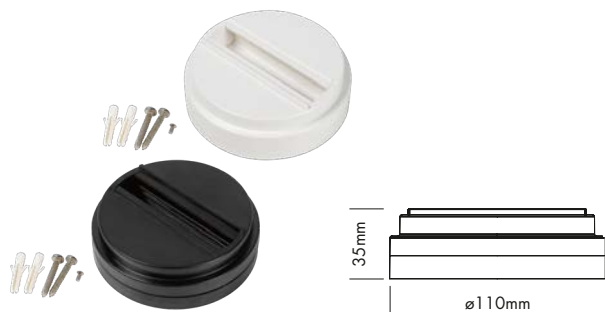


POWERGEAR 3-phase track system
Power socket adapter

Power socket adapter for 3-phase track

LPRO4230VW ○ white*

LPRO4230VB ● black**

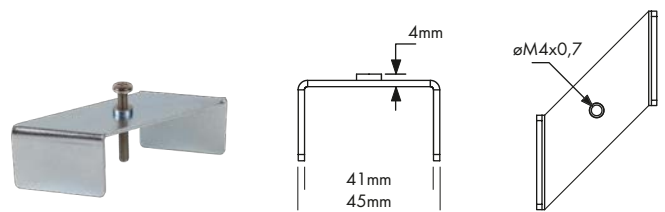


POWERGEAR 3-phase track system
Fixed Monopoint

Surface mounted monopoint for 3-phase track adapter.

LPROC100W ○ white*

LPROC100B ● black**



POWERGEAR 3-phase track system
Mounting bracket

for recessed tracks

LPROR105001 ● aluminium

*white similar RAL 9010 / **black similar RAL 9011



POWERGEAR 3-phase track system
Suspension hook

LPPROM142W	○ white*
LPPROM142B	● black**



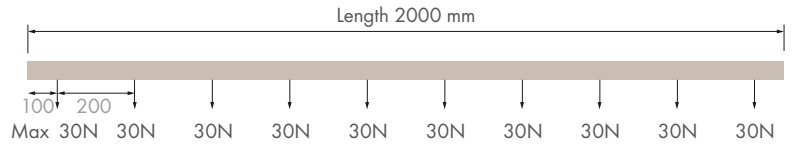
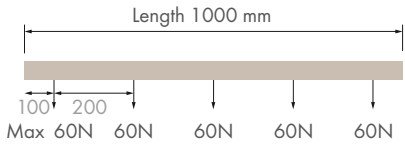
POWERGEAR 3-phase track system
PVC-Cover for track system

LPPROCS04300W	○ white*	3000 mm
LPPROCS04300B	● black**	3000 mm

*white similar RAL 9010 / **black similar RAL 9011

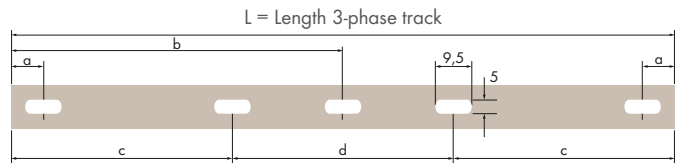


Mechanical Load Diagram



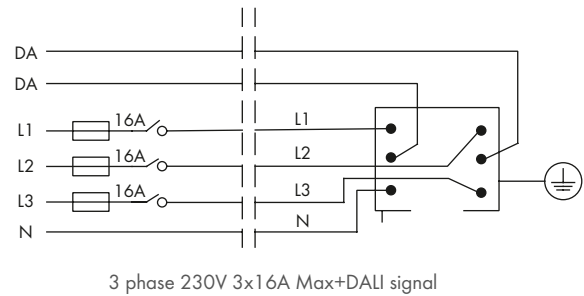
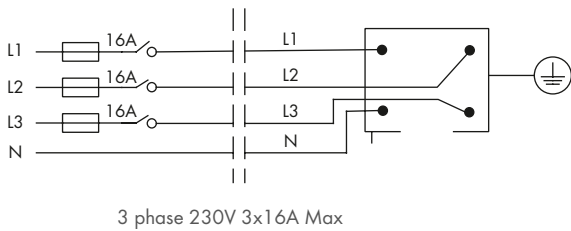
Fixing Point Dimensions

L/mm	a/mm	b/mm	c/mm	d/mm
1000	125			
2000	125	998		
3000	125		914	1167



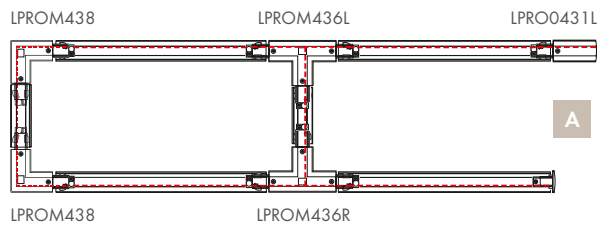
For optimal suspension, it is strongly recommended that tracks be attached to each of the pre-drilled holes using a suspension set or fixing one screw per hole to the ceiling.

Connecting Diagram

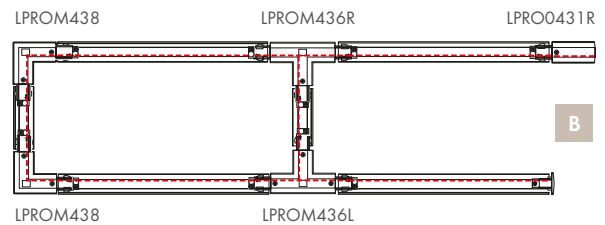


Order example

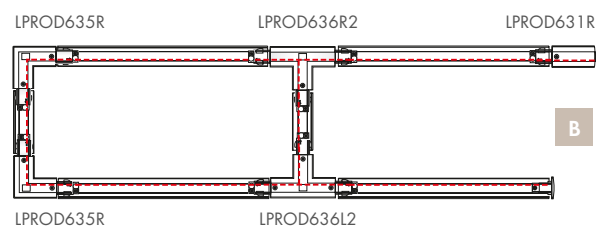
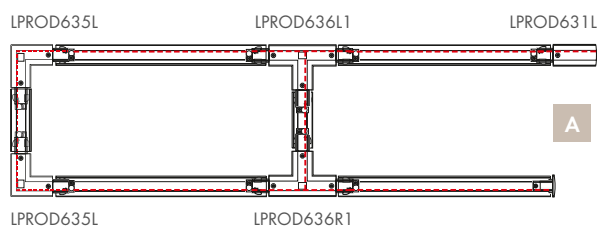
Feed L and R – on/off



Red line indicates the way of the neutral conductor.



Feed L and R – DALI







la villa 48

UNI-BRIGHT

“La Villa 48 brings splendor to every villa. And in all shops, hotels, offices, bars and restaurants.”

Simply let your creativity take the lead!

Create individual wall and ceiling lighting that exactly meets your needs in just three steps:

1. Choose color and type.
2. Configure track.
3. Add lights.

And that's it!



Find our
La Villa 48 track
configurator
at lavilla48.com



INDOOR | TRACKLIGHTS

UNI-BRIGHT La Villa 48

Minimalist design meets the latest lighting technology and maximum flexibility.

The result: lighting that inspires. In almost every application and environment.

- 48V track system
- Wide range of spotlights and luminaires for focused and linear light
- Easy installation of luminaires due to magnetic system
- 2 colors: white and black
- 2 color temperatures: 3000 K and 2700 K
- Optionally DALI dimmable
- Modular track system, can be installed as a surface or recessed system
- Individual suspensions are possible
- The complete range of spots, lights and tracks can be found in the PROLED and UNI-BRIGHT catalogue



UNI-BRIGHT La Villa 48

Mime 48

IP rating: IP20
 Power source: 48 VDC
 Housing: aluminium white** or black***
 Electrical connection: 48 V power track
 CRI: 90
 Power consumption: 9 W
 Average lifetime*: 50.000 h at L₈₀/B₁₀
 Operating temperature range: -10° C till +45° C
 Dimmable: only dimmable version (DALI)
 Product weight: 0,72 kg

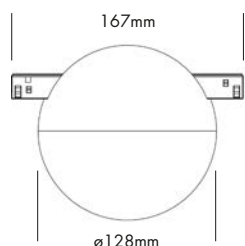
not suitable for recessed tracks and mini tracks



Warranty



Beam angle 120°



ULVTMI3000W	● warm white	3000 K	1230 lm	white	no	E
ULVTMI3000B	● warm white	3000 K	1230 lm	black	no	E
ULVTMI30DAW	● warm white	3000 K	1230 lm	white	yes/DALI	E
ULVTMI30DAB	● warm white	3000 K	1230 lm	black	yes/DALI	E
ULVTMI2700W	● super warm white	2700 K	1100 lm	white	no	G
ULVTMI2700B	● super warm white	2700 K	1100 lm	black	no	G
ULVTMI27DAW	● super warm white	2700 K	1100 lm	white	yes/DALI	G
ULVTMI27DAB	● super warm white	2700 K	1100 lm	black	yes/DALI	G



48 V power track necessary

*With correct installation and a suitable thermal management. **white similar RAL 9003 / ***black similar RAL 9005
 Due to conditions of production photometric data can vary from production batch to production batch within the EU directive.



UNI-BRIGHT La Villa 48

Mime Suspension 48

IP rating: IP20

Power source: 48 VDC

Housing: aluminium white** or black***

Electrical connection: 48 V power track

CRI: 90

Power consumption: 9 W

Average lifetime*: 50.000 h at L₈₀/B₁₀

Operating temperature range: -10° C till +45° C

Dimmable: only dimmable version (DALI)

Product weight: 0,86 kg

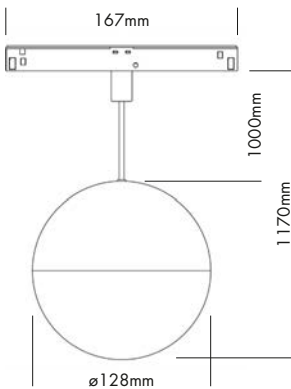
cable 1,5 m, adjustable



Warranty



Beam angle 120°



ULVTMIP3000W	● warm white	3000 K	1230 lm	white	no	E
ULVTMIP3000B	● warm white	3000 K	1230 lm	black	no	E
ULVTMIP30DAW	● warm white	3000 K	1230 lm	white	yes/DALI	E
ULVTMIP30DAB	● warm white	3000 K	1230 lm	black	yes/DALI	E
ULVTMIP2700W	● super warm white	2700 K	1100 lm	white	no	G
ULVTMIP2700B	● super warm white	2700 K	1100 lm	black	no	G
ULVTMIP27DAW	● super warm white	2700 K	1100 lm	white	yes/DALI	G
ULVTMIP27DAB	● super warm white	2700 K	1100 lm	black	yes/DALI	G



48 V power track necessary

*With correct installation and a suitable thermal management. **white similar RAL 9003 / ***black similar RAL 9005

Due to conditions of production photometric data can vary from production batch to production batch within the EU directive.



UNI-BRIGHT La Villa 48

Globe 48



IP rating: IP20

Power source: 48 VDC

Housing: aluminium white** or black***

Electrical connection: 48 V power track

CRI: 90

Power consumption: 12 W

Average lifetime*: 50.000 h at L₈₀/B₁₀

Operating temperature range: -10° C till +45° C

Dimmable: only dimmable version (DALI)

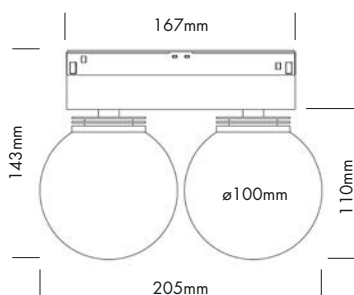
Product weight: 0,96 kg



Warranty



Beam angle 120°



ULVTGL3000W	● warm white	3000 K	2x 600 lm	white	no	F
ULVTGL3000B	● warm white	3000 K	2x 600 lm	black	no	F
ULVTGL30DAW	● warm white	3000 K	2x 600 lm	white	yes/DALI	F
ULVTGL30DAB	● warm white	3000 K	2x 600 lm	black	yes/DALI	F
ULVTGL2700W	● super warm white	2700 K	2x 600 lm	white	no	F
ULVTGL2700B	● super warm white	2700 K	2x 600 lm	black	no	F
ULVTGL27DAW	● super warm white	2700 K	2x 600 lm	white	yes/DALI	F
ULVTGL27DAB	● super warm white	2700 K	2x 600 lm	black	yes/DALI	F



48 V power track necessary

*With correct installation and a suitable thermal management. **white similar RAL 9003 / ***black similar RAL 9005

Due to conditions of production photometric data can vary from production batch to production batch within the EU directive.



UNI-BRIGHT La Villa 48

Move 48



IP rating: IP20

Power source: 48 VDC

Housing: aluminium white** or black***

Electrical connection: 48 V power track

CRI: 90

Power consumption: 11 W

Average lifetime*: 50.000 h at L₈₀/B₁₀

Operating temperature range: -10° C till +45° C

Dimmable: only dimmable version (DALI)

Product weight: 0,54 kg



Warranty



Beam angle 38°

ULVTMO3000W	● warm white	3000 K	1060 lm	white	no	G
ULVTMO3000B	● warm white	3000 K	1060 lm	black	no	G
ULVTMO30DAW	● warm white	3000 K	1060 lm	white	yes/DALI	G
ULVTMO30DAB	● warm white	3000 K	1060 lm	black	yes/DALI	G
ULVTMO2700W	● super warm white	2700 K	1020 lm	white	no	G
ULVTMO2700B	● super warm white	2700 K	1020 lm	black	no	G
ULVTMO27DAW	● super warm white	2700 K	1020 lm	white	yes/DALI	G
ULVTMO27DAB	● super warm white	2700 K	1020 lm	black	yes/DALI	G

*With correct installation and a suitable thermal management. **white similar RAL 9003 / ***black similar RAL 9005
Due to conditions of production photometric data can vary from production batch to production batch within the EU directive.



48 V power track necessary

UNI-BRIGHT La Villa 48/Move

Decorative ring Move

Ring to be ordered separately if another colour than the luminaire is required.



ULV52IRG	● gold	ø 52 mm
ULV52IRW	○ white	ø 52 mm
ULV52IRB	● black	ø 52 mm



UNI-BRIGHT La Villa 48

Madison 48 Mini



IP rating: IP20

Power source: 48 VDC

Housing: aluminium white** or black***

Electrical connection: 48 V power track

CRI: 90

Power consumption: 3 W

Average lifetime*: 50.000 h at L₈₀/B₁₀

Operating temperature range: -10° C till +45° C

Dimmable: only dimmable version (DALI)

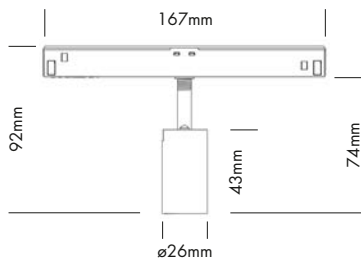
Product weight: 0,16 kg



Warranty



Beam angle 23°



ULVTMM3000W	● warm white	3000 K	200 lm	white	no	G
ULVTMM3000B	● warm white	3000 K	200 lm	black	no	G
ULVTMM30DAW	● warm white	3000 K	200 lm	white	yes/DALI	G
ULVTMM30DAB	● warm white	3000 K	200 lm	black	yes/DALI	G
ULVTMM2700W	● super warm white	2700 K	200 lm	white	no	G
ULVTMM2700B	● super warm white	2700 K	200 lm	black	no	G
ULVTMM27DAW	● super warm white	2700 K	200 lm	white	yes/DALI	G
ULVTMM27DAB	● super warm white	2700 K	200 lm	black	yes/DALI	G



48 V power track necessary

*With correct installation and a suitable thermal management. **white similar RAL 9003 / ***black similar RAL 9005

Due to conditions of production photometric data can vary from production batch to production batch within the EU directive.



UNI-BRIGHT La Villa 48

Madison Twin 48 Mini



IP rating: IP20

Power source: 48 VDC

Housing: aluminium white** or black***

Electrical connection: 48 V power track

CRI: 90

Power consumption: 5 W

Average lifetime*: 50.000 h at L₈₀/B₁₀

Operating temperature range: -10° C till +45° C

Dimmable: only dimmable version (DALI)

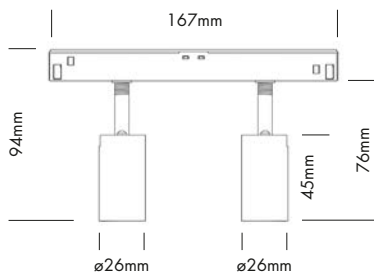
Product weight: 0,2 kg



Warranty



Beam angle 23°



ULVTMM30002W	● warm white	3000 K	2x 200 lm	white	no	G
ULVTMM30002B	● warm white	3000 K	2x 200 lm	black	no	G
ULVTMM30DA2W	● warm white	3000 K	2x 200 lm	white	yes/DALI	G
ULVTMM30DA2B	● warm white	3000 K	2x 200 lm	black	yes/DALI	G
ULVTMM27002W	● super warm white	2700 K	2x 200 lm	white	no	G
ULVTMM27002B	● super warm white	2700 K	2x 200 lm	black	no	G
ULVTMM27DA2W	● super warm white	2700 K	2x 200 lm	white	yes/DALI	G
ULVTMM27DA2B	● super warm white	2700 K	2x 200 lm	black	yes/DALI	G



48 V power track necessary

*With correct installation and a suitable thermal management. **white similar RAL 9003 / ***black similar RAL 9005

Due to conditions of production photometric data can vary from production batch to production batch within the EU directive.



UNI-BRIGHT La Villa 48

Plaza 48 15W



IP rating: IP20

Power source: 48 VDC

Housing: aluminium white** or black***

Electrical connection: 48 V power track

CRI: 90

Power consumption: 15 W

Average lifetime*: 50.000 h at L₈₀/B₁₀

Operating temperature range: -10° C till +45° C

Dimmable: only dimmable version (DALI)

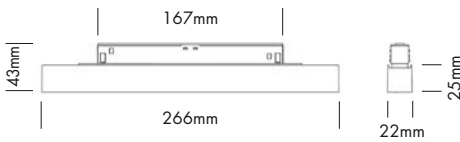
Product weight: 0,28 kg



Warranty



Beam angle 36°



ULVTPLT3000W	● warm white	3000 K	1420 lm	white	no	G
ULVTPLT3000B	● warm white	3000 K	1420 lm	black	no	G
ULVTPLT30DAW	● warm white	3000 K	1420 lm	white	yes/DALI	G
ULVTPLT30DAB	● warm white	3000 K	1420 lm	black	yes/DALI	G
ULVTPLT2700W	● super warm white	2700 K	1370 lm	white	no	G
ULVTPLT2700B	● super warm white	2700 K	1370 lm	black	no	G
ULVTPLT27DAW	● super warm white	2700 K	1370 lm	white	yes/DALI	G
ULVTPLT27DAB	● super warm white	2700 K	1370 lm	black	yes/DALI	G



48 V power track necessary

*With correct installation and a suitable thermal management. **white similar RAL 9003 / ***black similar RAL 9005

Due to conditions of production photometric data can vary from production batch to production batch within the EU directive.

UNI-BRIGHT La Villa 48

Strip 48 25W



IP rating: IP20

Power source: 48 VDC

Housing: aluminium white** or black***

Electrical connection: 48 V power track

CRI: 90

Power consumption: 25 W

Average lifetime*: 50.000 h at L₈₀/B₁₀

Operating temperature range: -10° C till +45° C

Dimmable: only dimmable version (DALI)

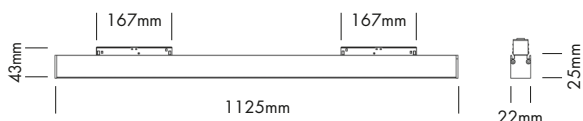
Product weight: 0,84 kg



Warranty



Beam angle 100°



ULVTST23000W	● warm white	3000 K	2900 lm	white	no	F
ULVTST23000B	● warm white	3000 K	2900 lm	black	no	F
ULVTST230DAW	● warm white	3000 K	2900 lm	white	yes/DALI	F
ULVTST230DAB	● warm white	3000 K	2900 lm	black	yes/DALI	F
ULVTST22700W	● super warm white	2700 K	2600 lm	white	no	F
ULVTST22700B	● super warm white	2700 K	2600 lm	black	no	F
ULVTST227DAW	● super warm white	2700 K	2600 lm	white	yes/DALI	F
ULVTST227DAB	● super warm white	2700 K	2600 lm	black	yes/DALI	F



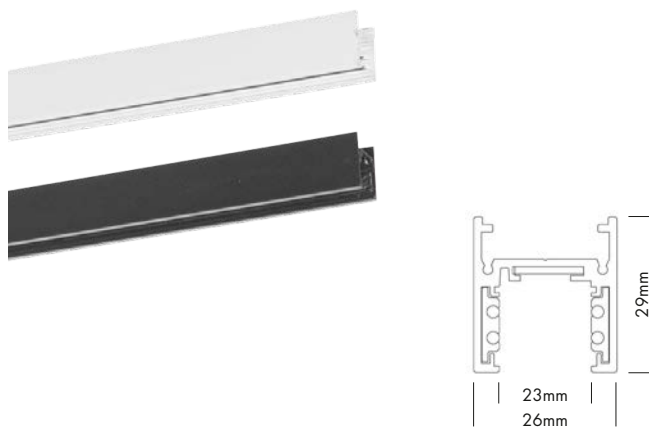
48 V power track necessary

*With correct installation and a suitable thermal management. **white similar RAL 9003 / ***black similar RAL 9005

Due to conditions of production photometric data can vary from production batch to production batch within the EU directive.

UNI-BRIGHT

La Villa 48 Mini Tracks



UNI-BRIGHT La Villa 48

Mini Tracks

ULVTRMI100W	○ aluminium white*	1000 mm
ULVTRMI200W	○ aluminium white*	2000 mm
ULVTRMI300W	○ aluminium white*	3000 mm
ULVTRMI100B	● aluminium black**	1000 mm
ULVTRMI200B	● aluminium black**	2000 mm
ULVTRMI300B	● aluminium black**	3000 mm

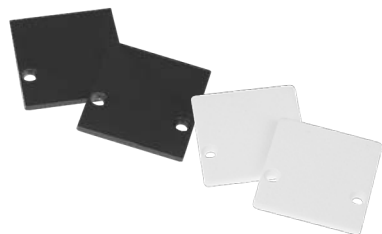


UNI-BRIGHT La Villa 48

Corner 90° Mini

incl. coupling kit

ULVTRMICORNW	○ aluminium white*	50 x 26 x 29 mm
ULVTRMICORNB	● aluminium black**	50 x 26 x 29 mm



UNI-BRIGHT La Villa 48

End caps Mini

ULVTMECW	○ aluminium white*	Set: 2 pcs.
ULVTMECB	● aluminium black**	Set: 2 pcs.

*white similar RAL 9003 / **black similar RAL 9005



PROLED®

proled.com

PROLED HEADQUARTERS

MBN GmbH
Balthasar-Schaller-Str. 3
86316 Friedberg · Germany
Phone +49.821.60099-0
Fax +49.821.60099-99
info@proled.com

PROLED BELGIUM / LUXEMBOURG

UNI-BRIGHT nv
Belcrownlaan 13 Q
2100 Antwerp · Belgium
Phone +32.3.6416140
Fax +32.3.6451831
info@proled.be

PROLED AUSTRIA VERTRIEBS GMBH

Edisonstr. 2
4600 Wels · Austria
Phone +43.7242.600616
Fax +43.7242.600616-10
office@proled.at